

TV wall mount

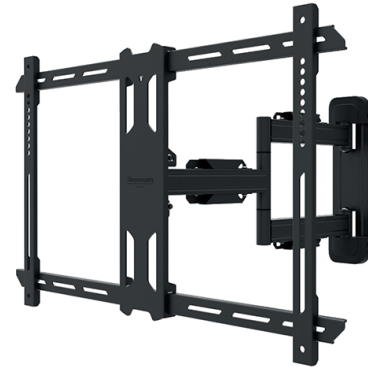
We are committed to making product choices that are sustainable and rely on the recyclability of our products. Investing in a circular economy where sustainability is at the heart of everything we do. A sustainable approach is essential in addressing global climate change.

**Environmental footprint**

Greenhouse gasses emitted into the environment during production of a product contribute directly to our planet's global warming.

Using LCA software<sup>1</sup> we are able to calculate<sup>2</sup> the (potential) environmental footprint, measured in kilograms CO<sub>2</sub>-equivalent. This enables us to evaluate a product's footprint and support the design of sustainable products.

By recycling our products the impact on the environment can be reduced as the recycled material replace the need to produce virgin materials.



Neomounts



Steel	98,8%
ABS	0,8%
PA	0,4%
Neodymium	0,03%
PE	0,02%

**Emitted carbon dioxide**

To illustrate the effect of a kilogram carbon dioxide, we converted it to kilometres driven by a car.



**Without recycling**

26,33 kg CO<sub>2</sub>  
80 km\*

**With recycling**

16,29 kg CO<sub>2</sub>  
49 km\*

**WL40S-850BL16**

	Steel	ABS	PA	Neodymium	PE		Total
Material weight (g)	6874,4	55,1	26,3	1,9	1,6		6959,3
<b>Kilograms CO<sub>2</sub>-equivalent</b>							
Without recycling	25,67	0,34	0,26	0,05	0,01		26,33
Recycling reduction %							38%
With recycling	15,66	0,32	0,25	0,05	0,01		16,29

\*8 litres of petrol per 100 km <sup>2</sup>

Sources: <sup>1</sup> Mobius Ecochain - Ecoinvent v3.6, <sup>2</sup> According to EN15804+A2, <sup>3</sup> Foundation myclimate; based on 8 litres of petrol per 100 km

